



Illustrated Parts List

Model Series

33M700

TYPE NUMBERS
0036 through 1400

TABLE OF CONTENTS

Air Cleaner	5
Alternator	7
Blower Housing	5
Camshaft	2
Carburetor	4
Controls	7
Crankshaft	2
Cylinder	2
Cylinder Head	3
Electric Starter	7
Engine Sump	2
Exhaust System	5
Flywheel	6
Fuel Supply	4
Gasket Set-Engine	2
Gasket Set-Valve	3
Governor Spring	7
Ignition	7
Intake Manifold	3
Kit-Carburetor Overhaul	4
Lubrication	3
Operator's Manual	2
Piston, Rings, and Connecting Rod ..	2
Valves	3
Warning Label	2

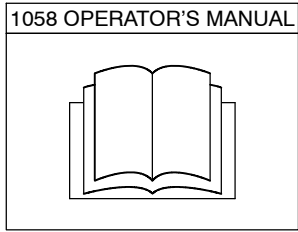


PRINTED IN U.S.A.

COPYRIGHT by BRIGGS & STRATTON CORPORATION
All rights reserved. No part of this material may be reproduced or transmitted, in any form or by any means, electronic or mechanical, including photocopying, recording or by any information storage and retrieval system, without permission in writing from Briggs & Stratton Corporation.

33M700

1058 OPERATOR'S MANUAL

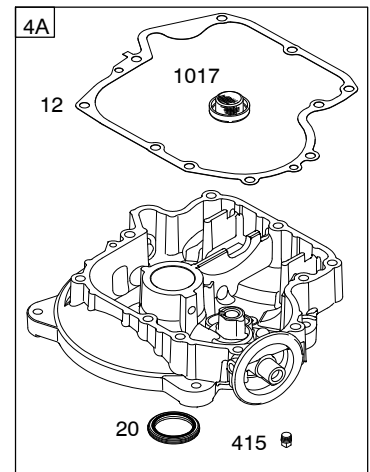
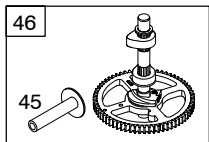
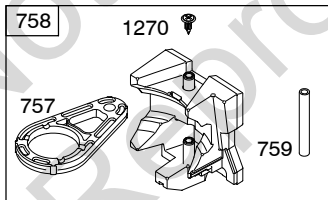
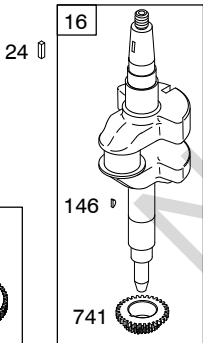
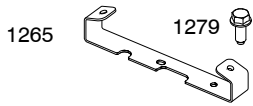
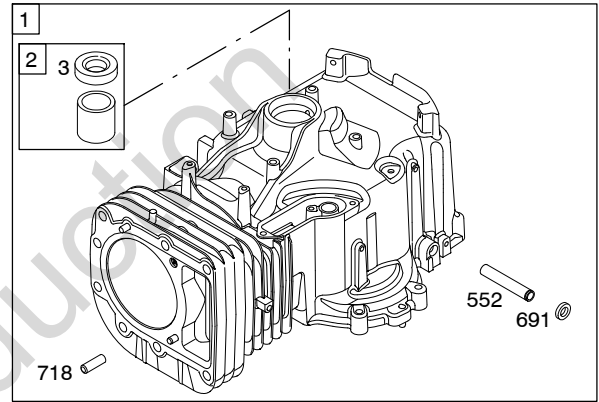
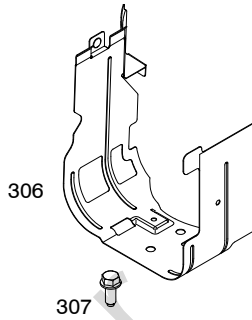
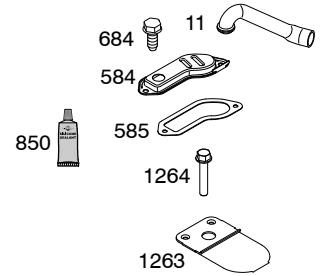
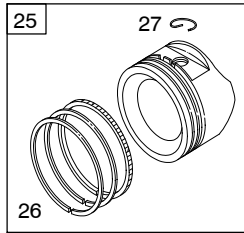
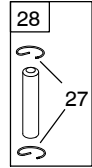
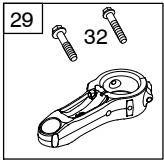


1319 WARNING LABEL

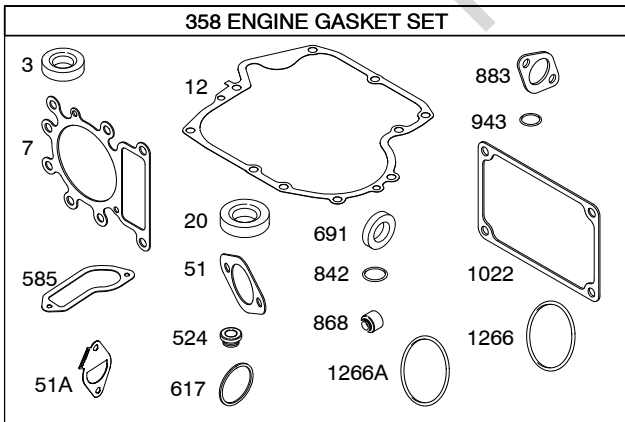
WARNING

- Read and follow Operating Instructions before running engine.
- Gasoline is flammable. Allow engine to cool at least 2 minutes before refueling.
- Engines emit carbon monoxide, **DO NOT** run in enclosed area.
- Muffler area temperature may exceed 150°F. Do not touch hot parts.

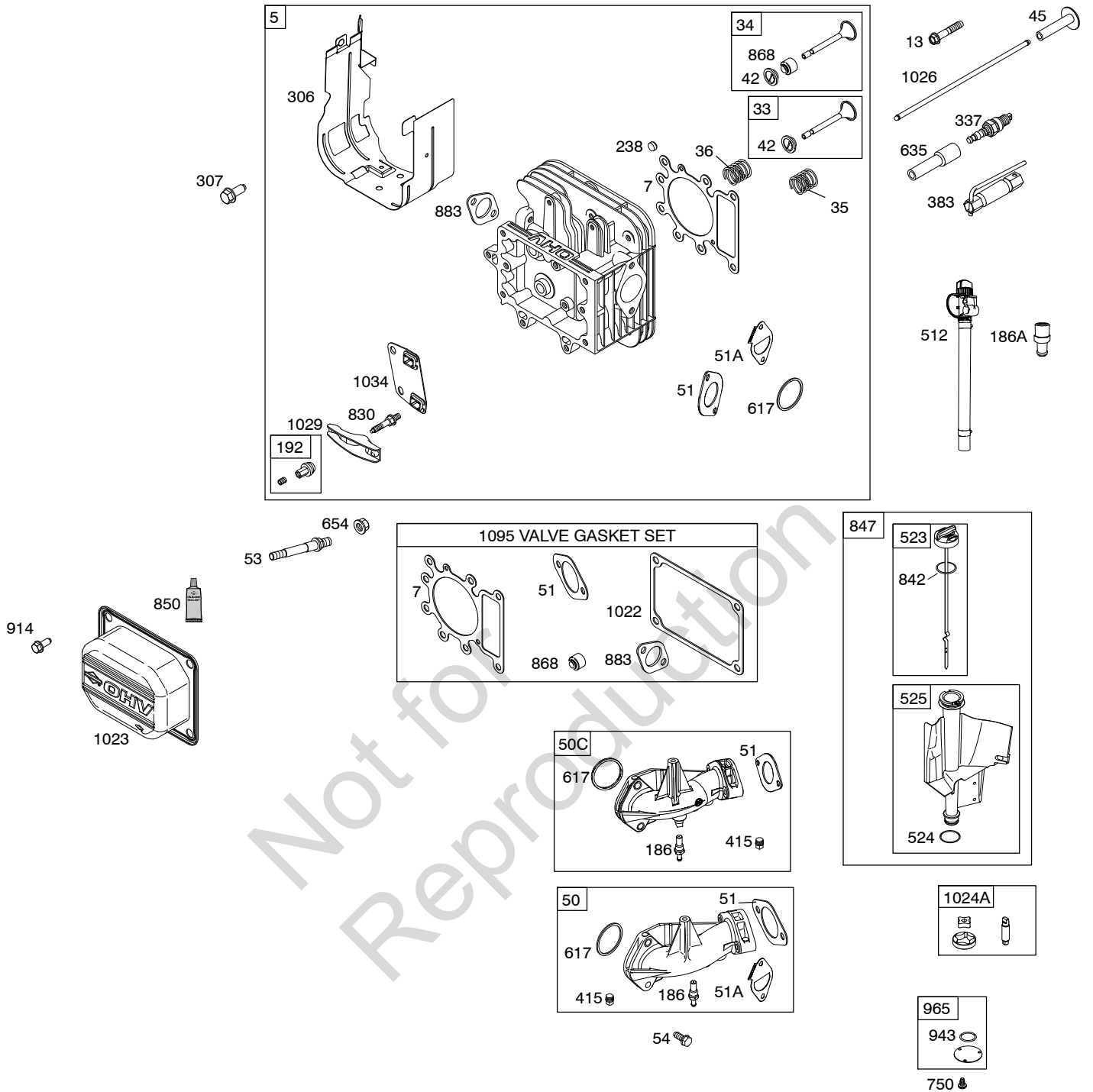
REQUIRED when replacing parts with warning labels affixed.



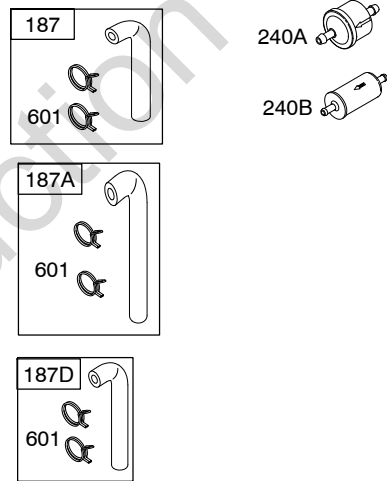
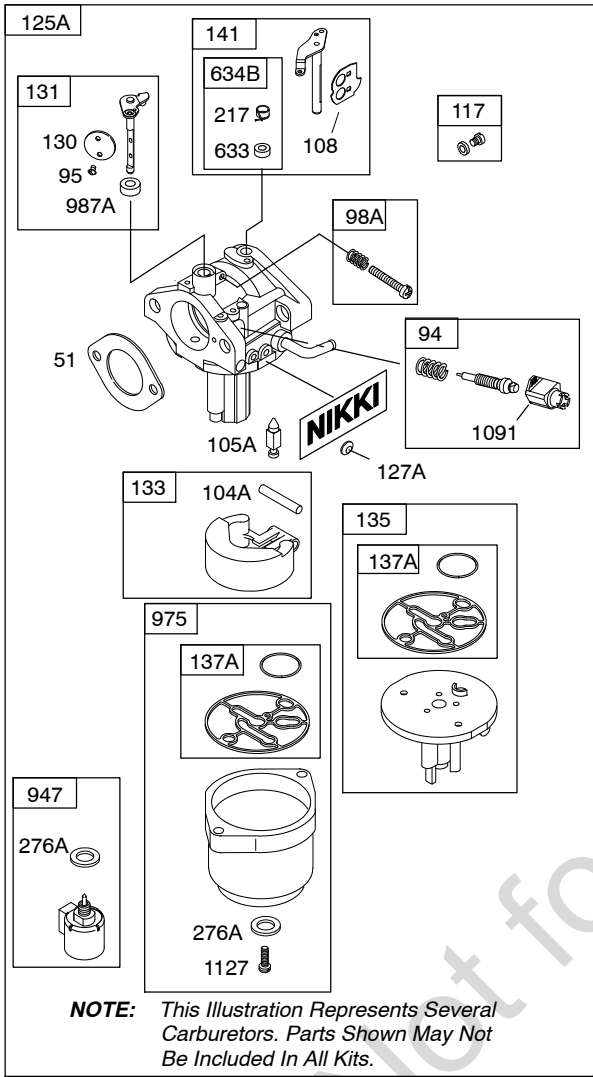
358 ENGINE GASKET SET



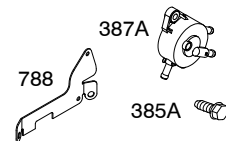
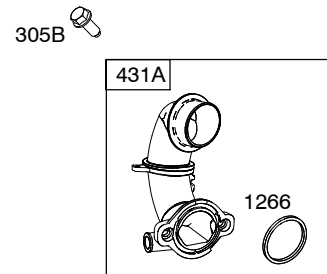
Illustrations cover a range of engines. Parts shown without corresponding text may not be used on your specific engine.



33M700

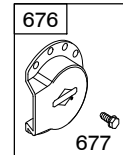
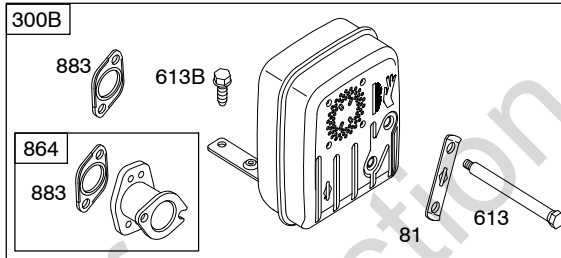
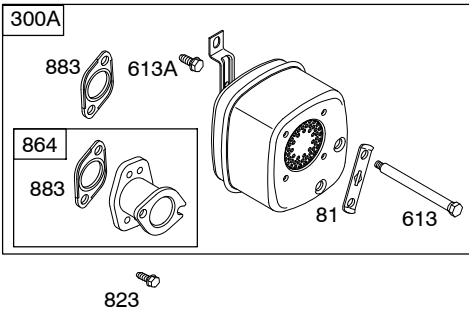
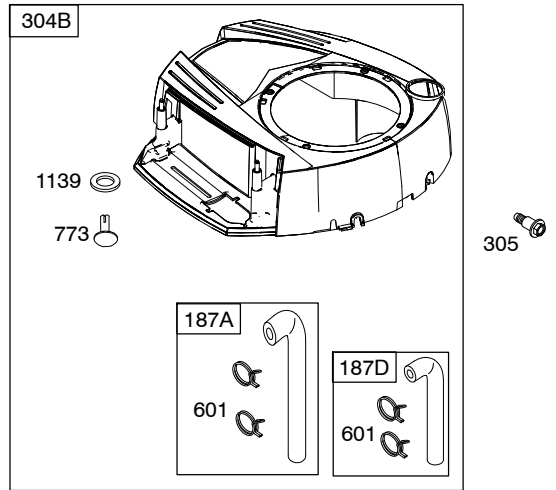
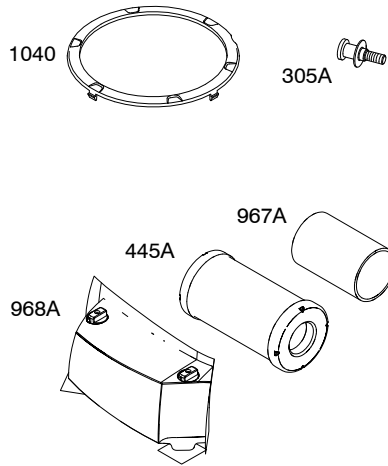


121A CARBURETOR OVERHAUL KIT			
51	127A	137A	98A
104A	987A		
105A	633	1266	217
51A	617	1266A	276A

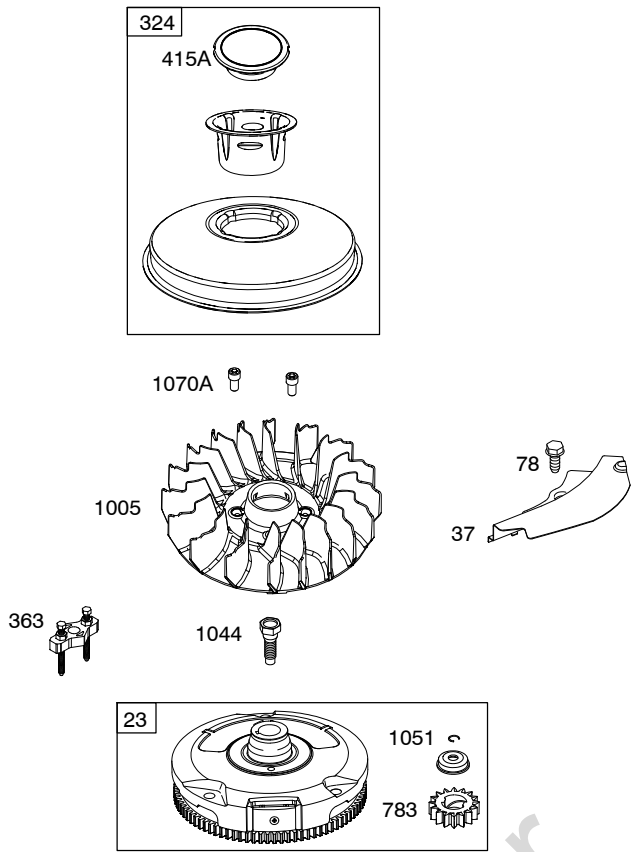


Illustrations cover a range of engines. Parts shown without corresponding text may not be used on your specific engine.

1036 EMISSIONS LABEL

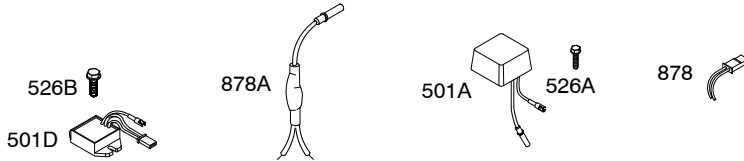


Not for
Reproduction



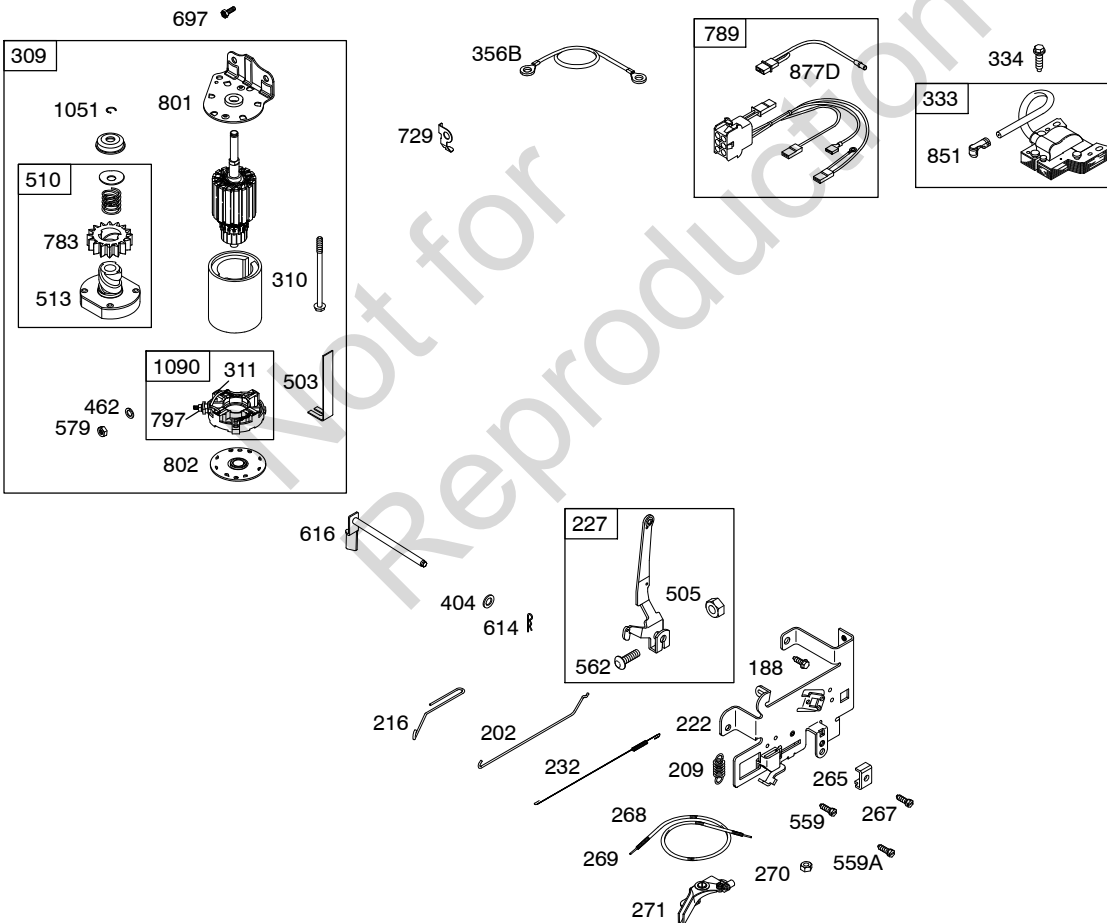
Not for
Reproduction

10/16 AMP		TRI CIRCUIT		5/9 AMP		DUAL CIRCUIT	
474D	1059	474C	1059	474C	1059	474B	1059
877C		877B		877B		877	



NOTE: All stators use a No. 1119 mounting screw.

NOTE: The proper flywheel part number and/or the alternator magnet size will determine the alternator type or output. See repair instruction manual for additional information.



33M700

REF. NO.	PART NO.	DESCRIPTION	REF. NO.	PART NO.	DESCRIPTION	REF. NO.	PART NO.	DESCRIPTION
1	794128	Cylinder Assembly	25	795858	Piston Assembly (Standard) (Used After Code Date 08100600).	54	691148	Screw (Intake Manifold)
2	399265	Kit-Bushing/Seal (Magneto Side)				73	796309	Screen-Rotating
3	391086s	Seal-Oil (Magneto Side)				74	697897	Screw (Rotating Screen)
4A	697188	Sump-Engine (Used After Code Date 05100200). ----- Note ----- 795938 Sump-Engine (Used Before Code Date 05100300). (Must Use Kit 795938, Includes Sump And Counterweight).				78	691003	Screw (Flywheel Guard)
5	796026	Head-Cylinder	26	794126	794124 Piston Assembly (Standard) (Used Before Code Date 08100700). 795877 Piston Assembly (.020" Oversize)	81	691178	Lock-Muffler Screw
7	794114	Gasket-Cylinder Head				94	793610	Kit-Idle Mixture
9	697109	Gasket-Breather				95	690718	Screw (Throttle Valve)
10	697157	Screw (Breather Assembly)				98A	695408	Kit-Idle Speed
11	794683	Tube-Breather				104A	694918	Pin-Float Hinge
12	697110	Gasket-Crankcase (.015" Thick) (Standard)				105A	696136	Valve-Float Needle
13	793988	Screw (Cylinder Head)				108	695419	Valve-Choke
15	690946	Plug-Oil Drain (Square Head)				117	796251	Jet-Main (Standard) (Used on Type No(s). 0116, 0117, 0118, 0119, 0120, 0121, 1400.)
16	797585	Crankshaft	27	698469	Lock-Piston Pin			----- Note ----- 796251 Jet-Main (Standard) (Used After Code Date 09021100). (Used on Type No(s). 0111, 0112, 0114.)
20	795387	Seal-Oil (PTO Side)	28	795861	Pin-Piston (Standard) (Used After Code Date 08100600). ----- Note ----- 794143 Pin-Piston (Standard) (Used Before Code Date 08100700).			791501 Jet-Main (Standard) (Used Before Code Date 09021200). (Used on Type No(s). 0111, 0112, 0114.)
22	692125	Screw (Crankcase Cover/Sump)	29	794571	Rod-Connecting			791501 Jet-Main (Standard) (Used After Code Date 08092800). (Used on Type No(s). 0036.)
23	693556	Flywheel (Used on Type No(s). 0036, 0111, 0114.) ----- Note ----- 693557 Flywheel (Used on Type No(s). 0112.) 698282 Flywheel (Used on Type No(s). 0116, 0117, 0118, 0119, 0120, 0121, 1400.)	32	791118	Screw (Connecting Rod)			791501 Jet-Main (Standard) (Used Before Code Date 08092900). (Used on Type No(s). 0036.)
24	796335	Key-Flywheel	33	792868	Valve-Exhaust			791501 Jet-Main (Standard) (Used Before Code Date 08092900). (Used on Type No(s). 0036.)
			34	791935	Valve-Intake			
			35	691279	Spring-Valve (Intake)			
			36	691279	Spring-Valve (Exhaust)			
			37	699882	Guard-Flywheel			
			42	499586	Keeper-Valve			
			43	691968	Slinger-Governor/Oil			
			45	690564	Tappet-Valve			
			46	793880	Camshaft			
			50	796180	Manifold-Intake (Used on Type No(s). 0111, 0112, 0114, 0116, 0117, 0118, 0119, 0120, 0121, 1400.)			
			50C	699029	Manifold-Intake (Used on Type No(s). 0036.)			
			51	692137	Gasket-Intake			
			51A	796081	Gasket-Intake			
			53	690227	Stud (Carburetor)			

Illustrations cover a range of engines. Parts shown without corresponding text may not be used on your specific engine.
 4093-8 Assemblies include all parts shown in frames. 12/01/2009

33M700

REF. NO.	PART NO.	DESCRIPTION	REF. NO.	PART NO.	DESCRIPTION	REF. NO.	PART NO.	DESCRIPTION																																																															
118	791406	Jet-Main (High Altitude) Used on Type No(s). 0116, 0117, 0118, 0119, 0120, 0121, 1400. ----- Note ----- 791406 Jet-Main (High Altitude) (Used After Code Date 09021100). Used on Type No(s). 0111, 0112, 0114. 843099 Jet-Main (High Altitude) (Used Before Code Date 09021200). Used on Type No(s). 0111, 0112, 0114. 791406 Jet-Main (High Altitude) (Used After Code Date 08092800). Used on Type No(s). 0036. 843099 Jet-Main (High Altitude) (Used Before Code Date 08092900). Used on Type No(s). 0036.	125	796587	Carburetor (Nikki Carburetor) Used on Type No(s). 0116, 0117, 0118, 0119, 0120, 0121, 1400. ----- Note ----- 796587 Carburetor (Nikki Carburetor) (Used After Code Date 09021100). Used on Type No(s). 0111, 0112, 0114. 795486 Carburetor (Nikki Carburetor) (Used Before Code Date 09021200). Used on Type No(s). 0111, 0112, 0114. 796587 Carburetor (Nikki Carburetor) (Used After Code Date 08092800). Used on Type No(s). 0036. 795486 Carburetor (Nikki Carburetor) (Used Before Code Date 08092900). Used on Type No(s). 0036.	187D	791744	Line-Fuel (Formed)(14 Inches Long)(Cut To Required Length)	188	691693	Screw (Control Bracket)	192	691986	Adjuster-Rocker Arm	202	691841	Link-Mechanical Governor	209	796260	Spring-Governor Used on Type No(s). 0036, 0112, 0121, 1400. ----- Note ----- 792602 Spring - Governor Used on Type No(s). 0111, 0114, 0116, 0117, 0118, 0119. 260902 Spring - Governor Used on Type No(s). 0120.	216	691840	Link-Choke	217	695409	Spring-Choke Return	222	694042	Bracket-Control	227	691374	Lever-Governor Control	232	691842	Spring-Governor Link	238	691843	Cap-Valve	240A	691035	Filter-Fuel (Includes 30 Micron Paper Element)	240B	695666	Filter-Fuel (Includes 40 Micron Paper Element)	265	691024	Clamp-Casing	267	794904	Screw (Casing Clamp)	268	691025	Casing-Control Wire (Cut To Required Length)	269	691026	Wire-Control (Cut To Required Length)	270	691027	Nut (Control Wire Casing)	271	691028	Lever-Control	276A	695410	Washer-Sealing	300A	795998	Muffler Used on Type No(s). 0121.	300B	795997	Muffler Used on Type No(s). 0036, 0116.
121A	796184	Kit-Carburetor Overhaul (Nikki Carburetor)	127A	690727	Plug-Welch	130	792747	Valve-Throttle	131	792765	Kit-Throttle Shaft	133	694914	Float-Carburetor	135	698780	Tube-Fuel Transfer (Gravity Feed) ----- Note ----- 792022 Tube-Fuel Transfer (Pump Feed)	137A	698781	Gasket-Float Bowl	141	698778	Kit-Choke Shaft	146	691639	Key-Timing	186	794873	Hose-Connector	186A	794873	Hose-Connector (Oil Drain)	187	791805	Line-Fuel (Formed)(10-1/4 Inches Long)(Cut to Required Length)	187A	791806	Line-Fuel (Formed)(21 Inches Long)(Cut to Required Length)																																	

Illustrations cover a range of engines. Parts shown without corresponding text may not be used on your specific engine.
4093-9 Assemblies include all parts shown in frames. 12/01/2009

33M700

REF. NO.	PART NO.	DESCRIPTION	REF. NO.	PART NO.	DESCRIPTION	REF. NO.	PART NO.	DESCRIPTION
304B	796451	Housing-Blower (Black)	431A	794145	Elbow-Intake	559A	693675	Screw (.419 Inches Remote Choke Stop) (Lobe Drive)
305	697102	Screw (Blower Housing)	445A	793569	Filter-Air Cleaner Cartridge	562	691119	Bolt (Governor Control Lever)
305A	793376	Screw (Blower Housing)	462	691261	Washer (Starter Cable)	579	691029	Nut (Starter Cable)
305B	795891	Screw (Blower Housing to Elbow)	474B	696459	Alternator (Dual) Used on Type No(s). 0112.	584	694682	Cover-Breather Passage (Use With Liquid Sealant-Reference 850)
306	794953	Shield-Cylinder	474C	696457	Alternator (5/9 Amp. Regulated Or Tri Circuit) Used on Type No(s). 0036, 0111, 0114, 0117, 0118, 0119, 0120, 0121, 1400.	601	791850	Clamp-Hose (Green)
307	691003	Screw (Cylinder Shield)	474D	696458	Alternator (10/16 Amp.) Used on Type No(s). 0116.	----- Note -----		
309	693551	Motor-Starter	501A	794360	Regulator (5/9 Amp. Regulated)	613	691416	Screw (Muffler)
310	690323	Screw (Starter Motor)	501D	797375	Regulator (10/16 Amp. Regulated)	613A	691678	Screw (Muffler)
311	497608	Brush Set	503	691532	Strap-Starter	613B	690297	Screw (Muffler)
333	795315	Armature-Magneto (Used After Code Date 07100700). ----- Note ----- 492341 Armature-Magneto (Used Before Code Date 07100800).	505	691251	Nut (Governor Control Lever)	614	691620	Pin-Cotter
334	691061	Screw (Magneto Armature)	510	693699	Drive-Starter	616	692012	Crank-Governor
337	491055s	Plug-Spark Used on Type No(s). 0036, 0112. ----- Note ----- 792015 Plug-Spark Used on Type No(s). 0111, 0114, 0117, 0118, 0119, 0120, 0121. 696202 Plug-Spark Used on Type No(s). 1400.	512	796530	Hose-Oil Drain	617	692138	Seal-O Ring (Intake Manifold)
344	693675	Screw (Cable Clamp)	513	692024	Clutch-Drive	633	699813	Seal-Choke/Throttle Shaft
356B	697089	Wire-Stop	523	699908	Dipstick	634B	698779	Spring/Seal Assembly
358	796187	Gasket Set-Engine	524	691032	Seal-Dipstick Tube	635	691909	Boot-Spark Plug
363	19203	Puller-Flywheel	525	697085	Tube-Dipstick ----- Note ----- 697184 Tube-Dipstick Used on Type No(s). 1400.	654	690958	Nut (Carburetor)
383	89838s	Wrench-Spark Plug	526A	697088	Screw (Regulator)	676	795036	Deflector-Muffler Used on Type No(s). 0036, 0116.
385A	690297	Screw (Fuel Pump)	526B	697348	Screw (Regulator)	677	690661	Screw (Muffler Deflector)
387A	808656	Pump-Fuel	544	692034	Armature-Starter	691	692407	Seal-Governor Shaft
404	691691	Washer (Governor Crank)	552	697144	Bushing-Governor Crank	697	690372	Screw (Drive Cap)
415	794903	Plug	559	697561	Screw (.375 Inches Remote Choke Stop) (Hex Head)	718	690959	Pin-Locating
415A	794129	Plug (Cover/Retainer)				729	691224	Clip-Wire
						741	697128	Gear-Timing
						750	790832	Screw (Oil Pump Cover)

Illustrations cover a range of engines. Parts shown without corresponding text may not be used on your specific engine.
 4093-10 Assemblies include all parts shown in frames. 12/01/2009

33M700

REF. NO.	PART NO.	DESCRIPTION	REF. NO.	PART NO.	DESCRIPTION	REF. NO.	PART NO.	DESCRIPTION
757	793242	Link-Counterweight	868	690968	Seal-Valve	1029	691751	Arm-Rocker
758	793763	Counterweight (Used After Code Date 05100200).	877	393456	Wire/Connector-Alternator (Dual Circuit)	1032	491710	Ball-Oil Pump
		----- Note -----	877B	393357	Wire/Connector-Alternator (5/9 Amp. Regulated Or Tri Circuit)	1034	690822	Guide-Push Rod
		795938 Counterweight (Used Before Code Date 05100300). (Must Use Kit 795938, Includes Sump And Counterweight).	877C	399916	Wire/Connector-Alternator (10/16 Amp.)	1035	693784	Shaft-Pump
759	697392	Pin-Counterweight	877D	790544	Wire/Connector-Alternator	1036		Label-Emissions (Available From A Briggs & Stratton Authorized Dealer)
773	796448	Retainer	878	398661	Harness-Alternator (Dual Circuit)	1040	698368	Plate-Trim
783	693713	Gear-Pinion	878A	691955	Harness-Alternator (Tri Circuit)	1044	698139	Screw (Flywheel)
788	699347	Bracket-Fuel Pump	883	692236	Gasket-Exhaust	1051	691265	Ring-Retaining
789	698329	Harness-Wiring	914	697551	Screw (Rocker Cover)	1058	276344	Operator's Manual
797	693167	Nut (Brush Retainer)	943	690589	Seal-O Ring (Oil Pump Cover)	1059	698516	Kit-Screw/Washer
801	691283	Cap-Drive	947	699915	Solenoid-Fuel	1070A	690363	Screw (Flywheel Fan) (Used Before Code Date 08061900).
802	691286	Cap-End	965	499613	Cover-Oil Pump	1090	691293	Retainer-Brush
803		Housing-Starter (Not Serviced Separately, Order Starter Motor 693551)	967A	793685	Filter-Pre Cleaner	1091	691333	Cap-Limiter
823	698941	Screw (Muffler Adapter)	968A	795757	Cover-Air Cleaner (Black)	1095	794152	Gasket Set-Valve
830	691095	Stud-Rocker Arm	975A	699502	Bowl-Float	1119	691183	Screw (Alternator)
842	691031	Seal-O Ring (Dipstick Tube)	987A	698777	Seal-Throttle Shaft	1127	695407	Screw (Float Bowl)
847	790442	Dipstick/Tube Assembly	1005	796084	Fan-Flywheel	1139	796449	Washer
850	100100	Sealant-Liquid	1017	796981	Screen-Oil Pump	1263	697124	Reed-Breather
851	692424	Terminal-Spark Plug	1022	272475S	Gasket-Rocker-Cover	1264	697104	Screw (Breather Reed)
864	794661	Adapter-Muffler (Length 1.75 Inches)	1023	791079	Cover-Rocker	1265	794151	Support-Blower Housing
		----- Note -----	1024A	794644	Pump-Oil	1266	691917	Seal-O Ring (Intake Elbow)
		796002 Adapter-Muffler (Length 2.25 Inches)	1026	692003	Rod-Push (Intake)	1266A	691917	Seal-O Ring
					----- Note -----	1270	793243	Plug-AVS Counterweight
					692011 Rod-Push (Exhaust)	1279	697551	Screw (Blower Housing Support)
			1027	696854	Filter-Oil (Premium)	1319	794467	Label-Warning

Illustrations cover a range of engines. Parts shown without corresponding text may not be used on your specific engine.
4093-11 Assemblies include all parts shown in frames. 12/01/2009

Not for
Reproduction

